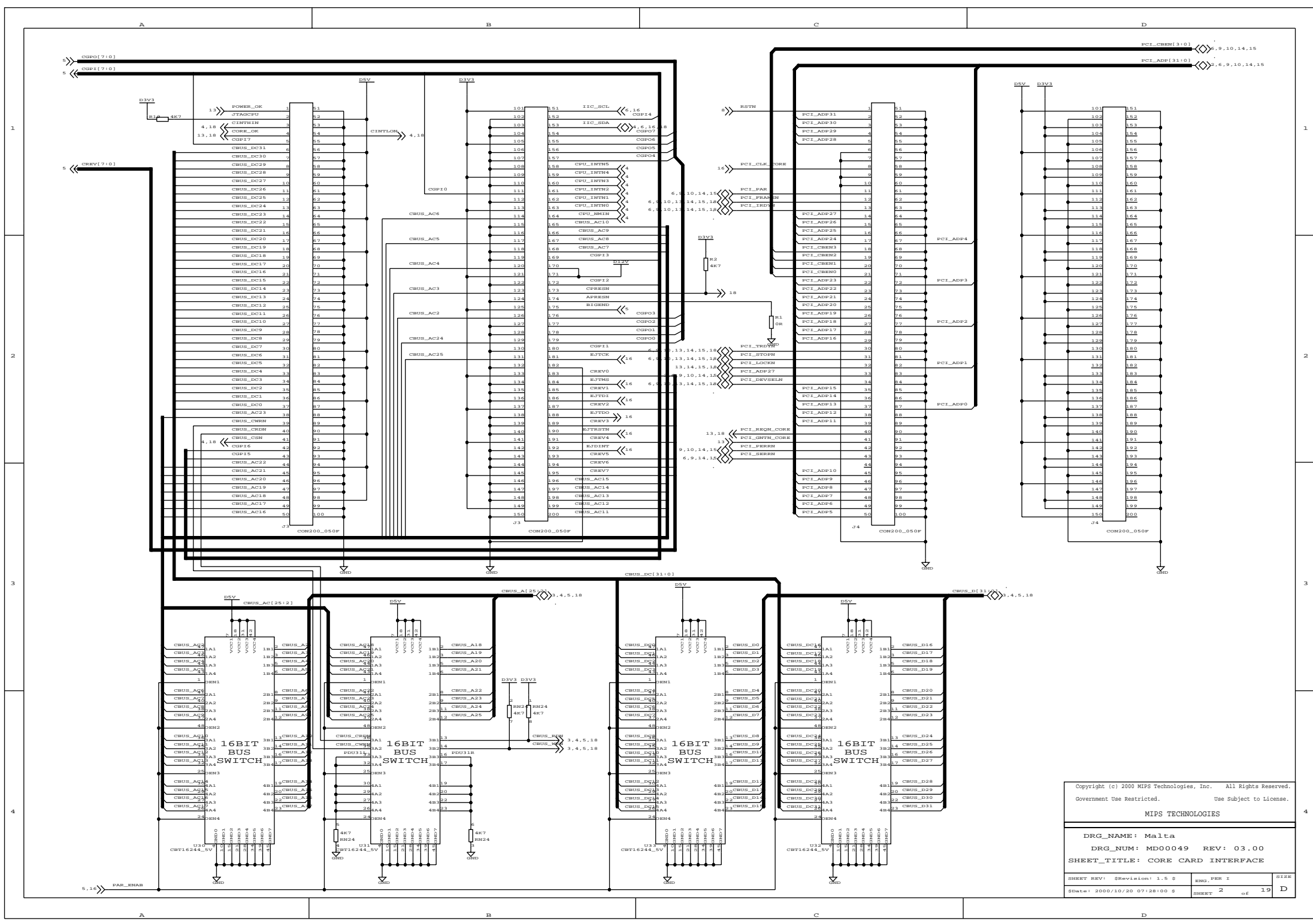


Malta (TM) SCHEMATIC

Title Page	Sheet 1
Core Card Interface	Sheet 2
Monitor FLASH	Sheet 3
CBUS FPGA	Sheet 4
UART, LEDs, Display and DIL Switch	Sheet 5
Southbridge CPU, PCI, IIC & PM Interfaces	Sheet 6
IDE, CompactFlash & USB Interface	Sheet 7
ISA & IRQ Interface	Sheet 8
Ethernet Interface	Sheet 9
Audio Interface, AMR Connector	Sheet 10
Super I/O, UART & FD interfaces	Sheet 11
Parallel Port Interface	Sheet 12
PCI arbiter	Sheet 13
PCI Connector 1	Sheet 14
PCI Connectors 2, 3 and 4	Sheet 15
Clock Generation, USB download & EJTAG Interface	Sheet 16
Power Supply and Reset Controller	Sheet 17
HP Logic Analyzer Connectors	Sheet 18
Alternative components	Sheet 19

Copyright (c) 2000 MIPS Technologies, Inc. All Rights Reserved. Government Use Restricted. Use Subject to License.			
MIPS TECHNOLOGIES			
DRG_NAME: Malta			
DRG_NUM: MD00049 REV: 03.00			
SHEET_TITLE: CONTENTS			
SHEET REV: \$Revision: 1.5 \$	ENG. MOD	SIZE	
SDate: 2000/10/20 07:27:59 \$	SHEET 1	of 19	D

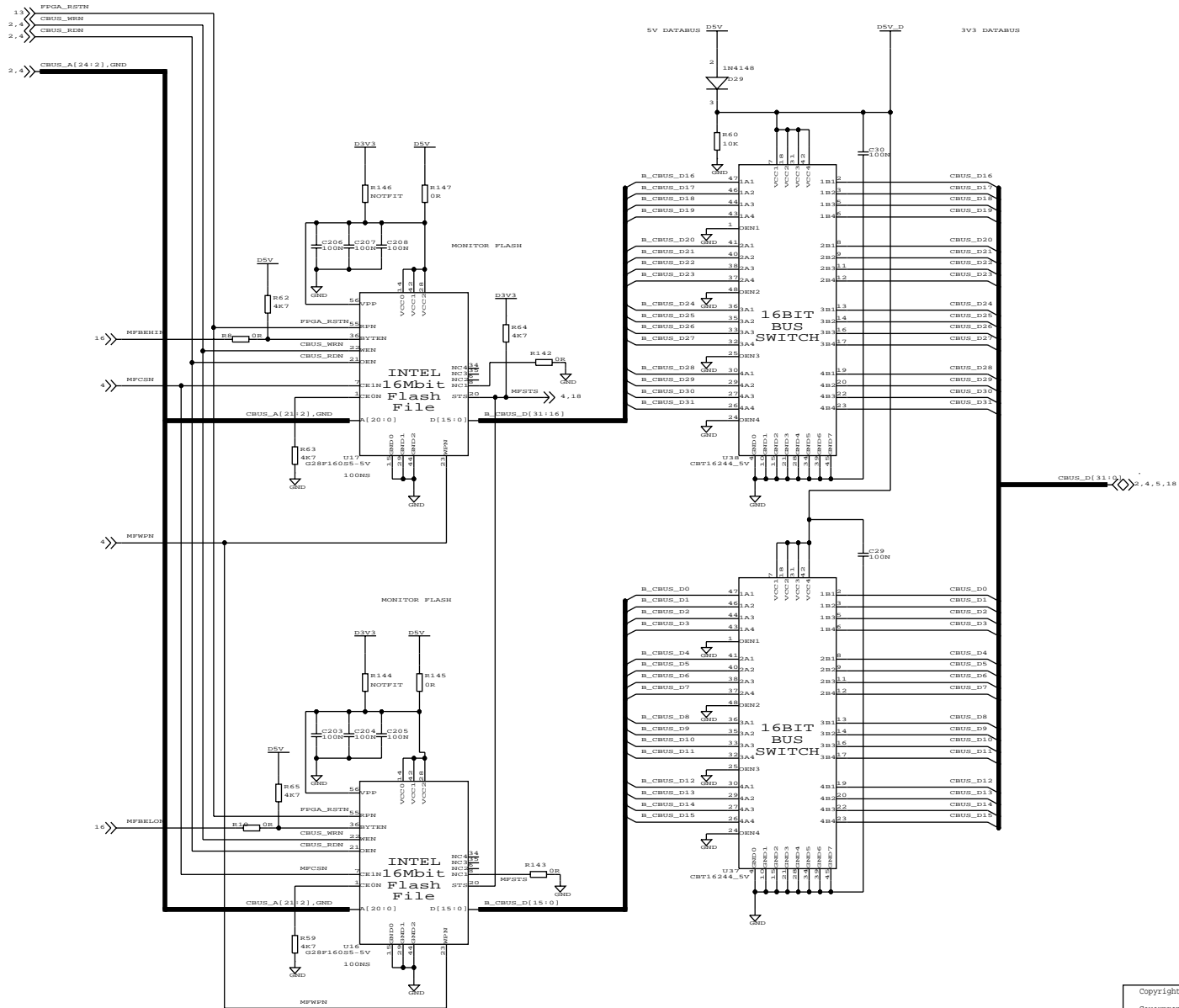


Copyright (c) 2000 MIPS Technologies, Inc. All Rights Reserved.
 Government Use Restricted. Use Subject to License.

MIPS TECHNOLOGIES

DRG_NAME: Malta
 DRG_NUM: MD00049 REV: 03.00
 SHEET_TITLE: CORE CARD INTERFACE

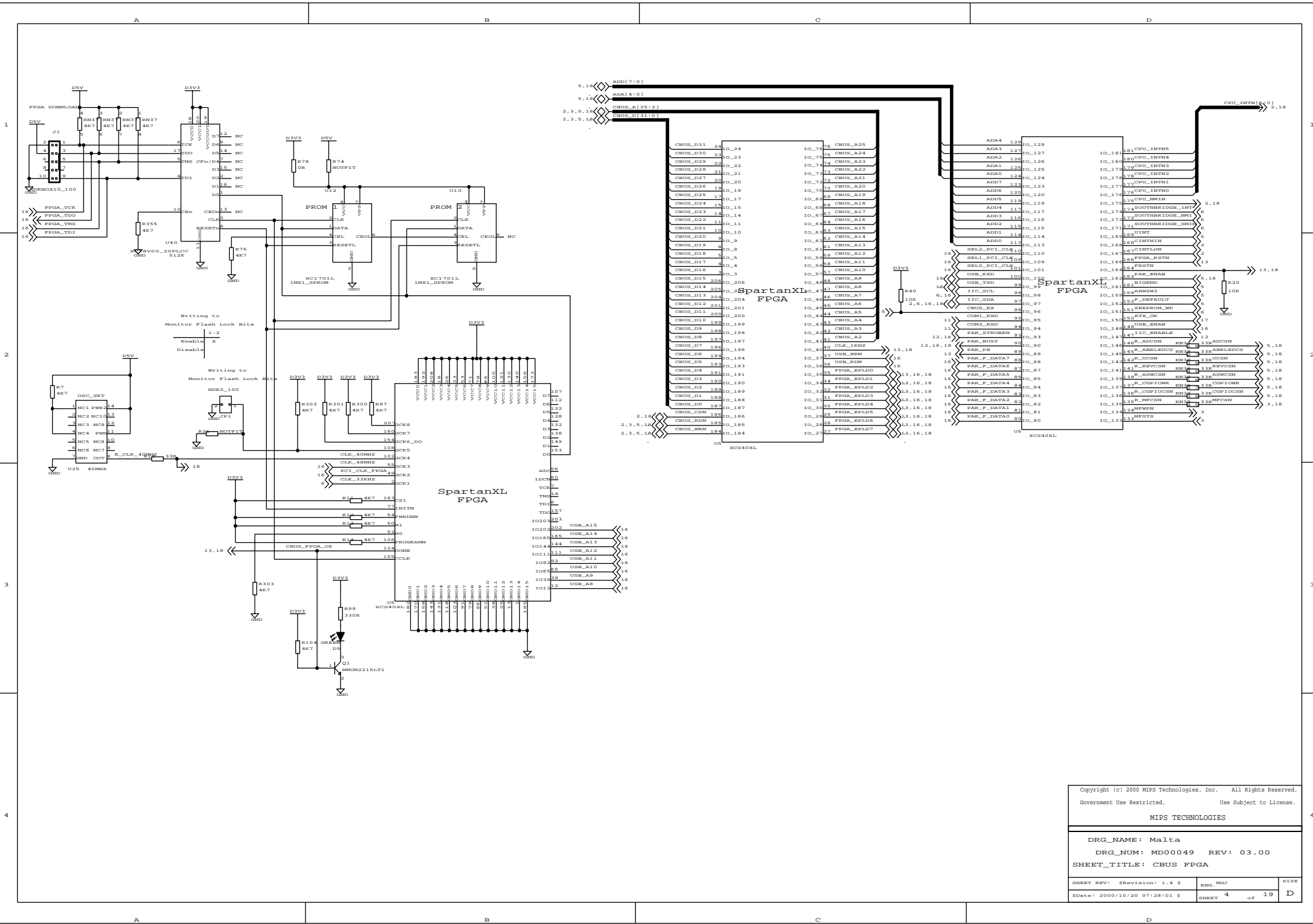
SHEET REV: \$Revision: 1.5 \$ ENG. PER: I SIZE
 \$Date: 2000/10/20 07:28:00 \$ SHEET 2 of 19 D



Copyright (c) 2000 MIPS Technologies, Inc. All Rights Reserved.
 Government Use Restricted. Use Subject to License.
 MIPS TECHNOLOGIES

DRG_NAME: Malta
 DRG_NUM: MD00049 REV: 03.00
 SHEET_TITLE: Monitor Flash

SHEET REV: 1	SRRevision: 1.4 S	ENGR PER 1	SIZE
SDate: 2000/10/20 07:28:01 S	SHEET 3	of 19	D



Copyright (c) 2000 MIPS Technologies, Inc. All Rights Reserved.

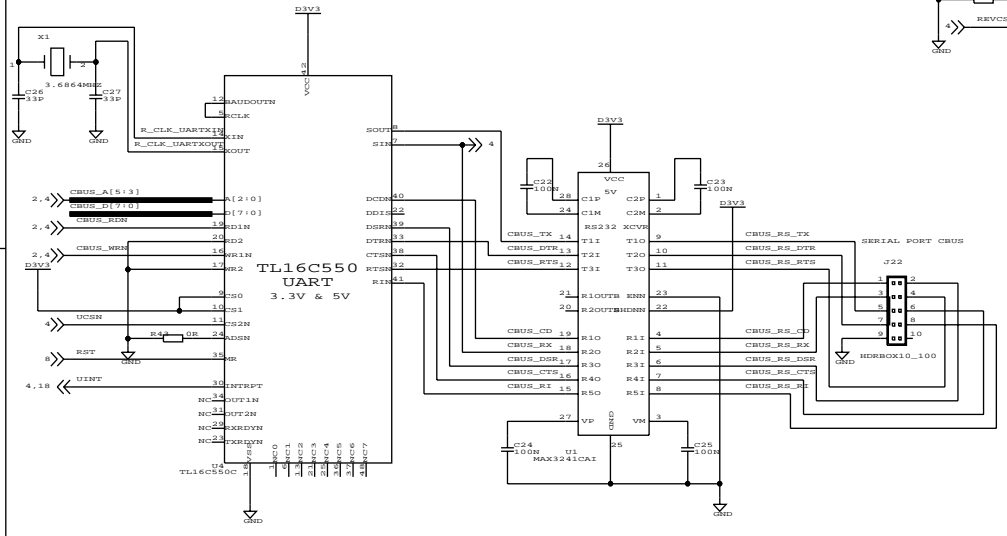
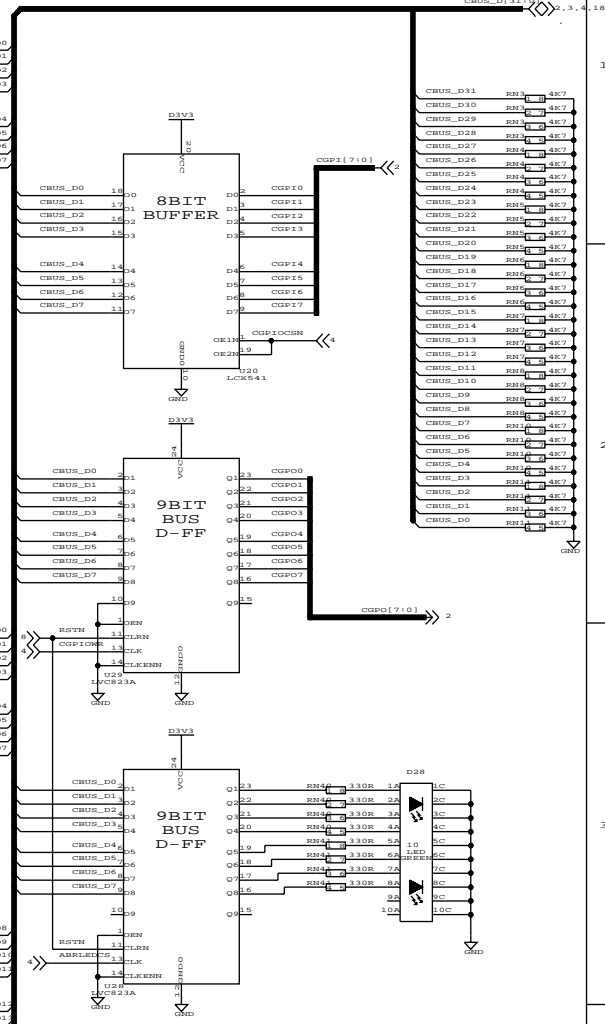
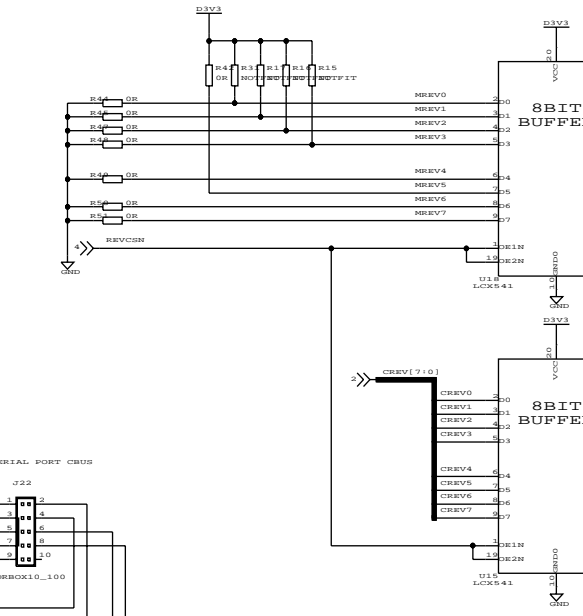
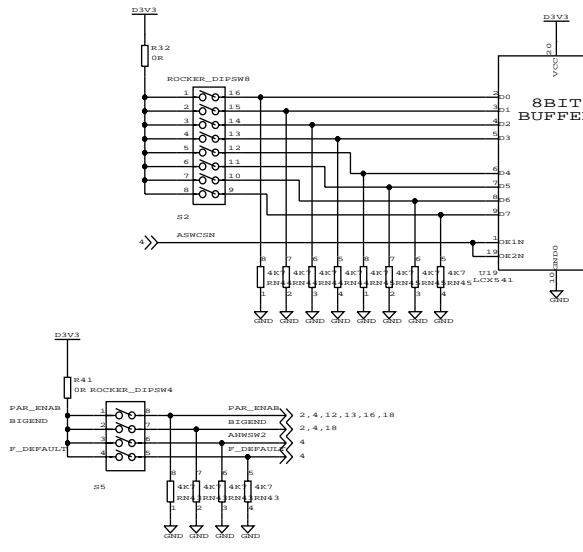
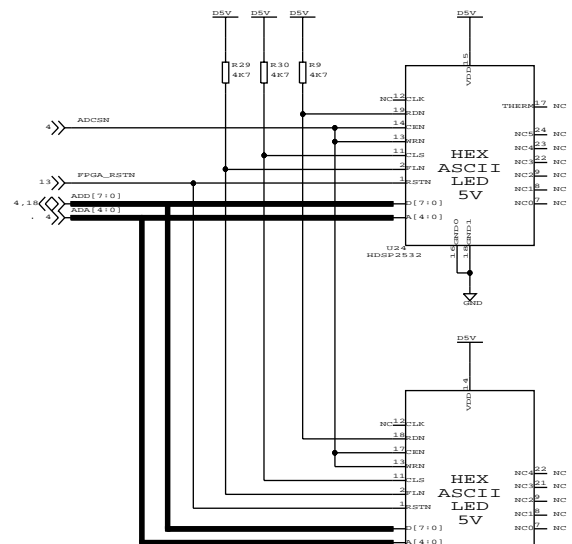
Government Use Restricted. Use Subject to License.

MIPS TECHNOLOGIES

DRG_NAME: Malta
 DRG_NUM: MD00049 REV: 03.00
 SHEET_TITLE: CBUS FPGA

SHEET REV: 1	SRRevision: 1.4 S	ENGR: MGS	DATE:
SDate: 2000/10/20 07:28:01 S	SHEET 4	of 19	D

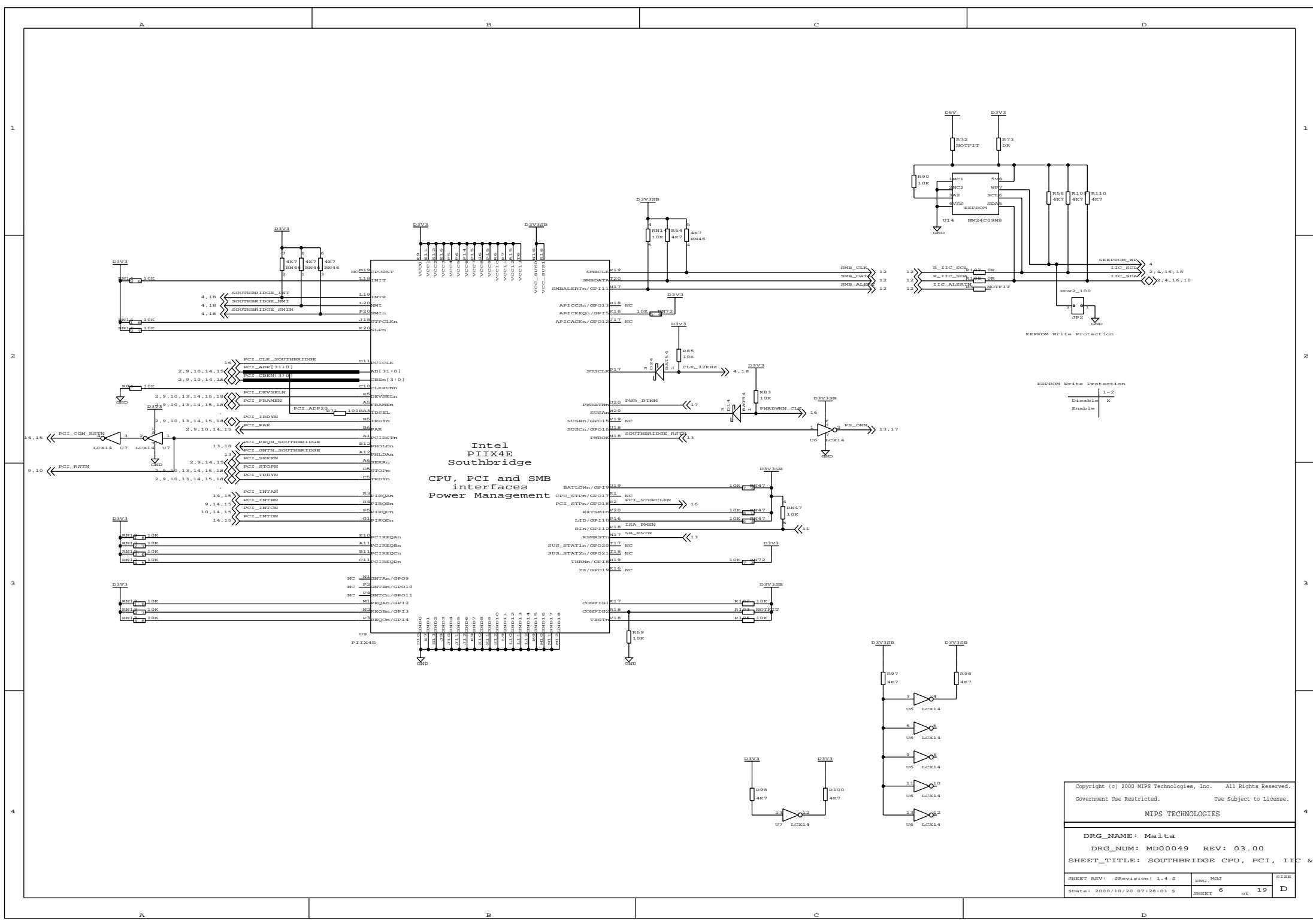
Dual footprint for HDSP2532 or HDSP2113 Display



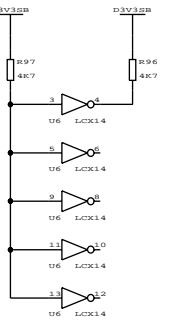
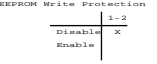
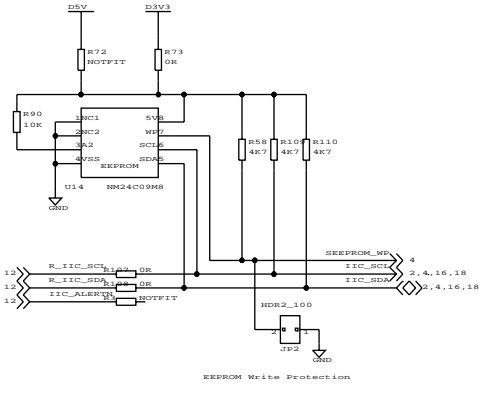
Copyright (c) 2000 MIPS Technologies, Inc. All Rights Reserved.
 Government Use Restricted. Use Subject to License.
 MIPS TECHNOLOGIES

DRG_NAME: Malta
 DRG_NUM: MD00049 REV: 03.00
 SHEET_TITLE: UART, LEDs, Display and DIL

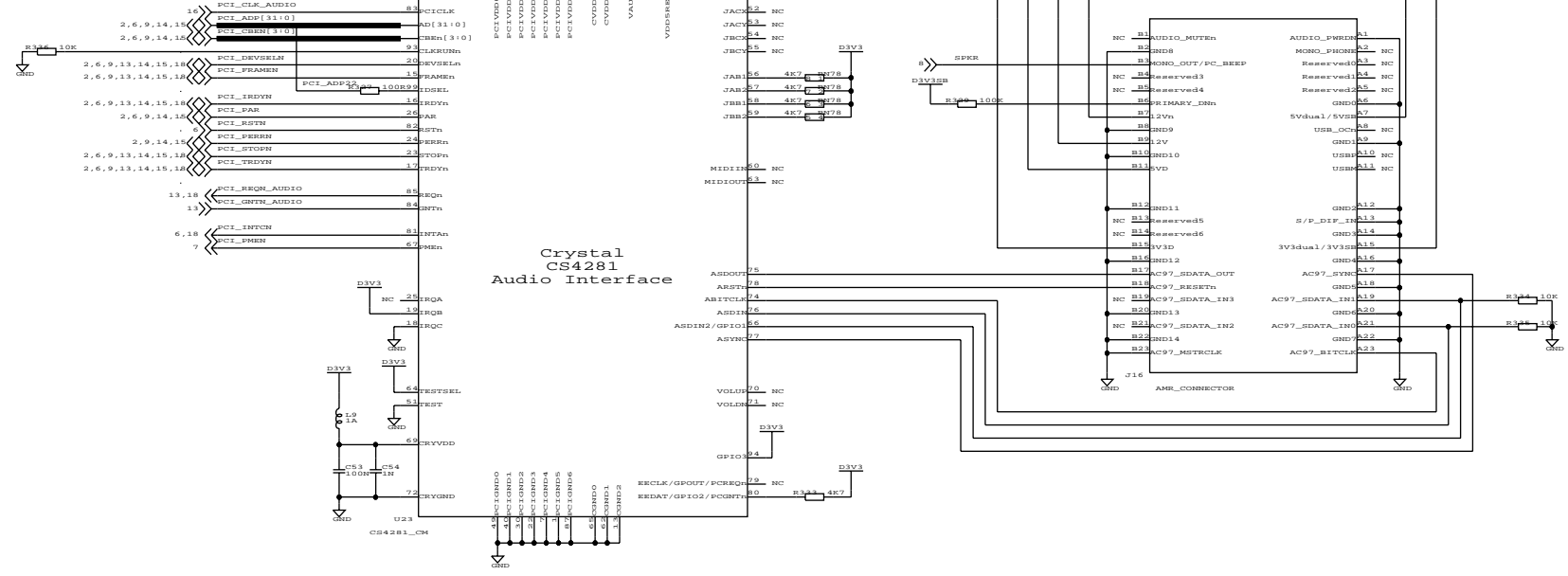
SHEET REV: 1	SRRevision: 1.4	ENG. PER: 1	SIZE
SDate: 2000/10/20 07:28:01		SHEET 5 of 19	D



Intel
PIIX4E
Southbridge
CPU, PCI and SMB
interfaces
Power Management

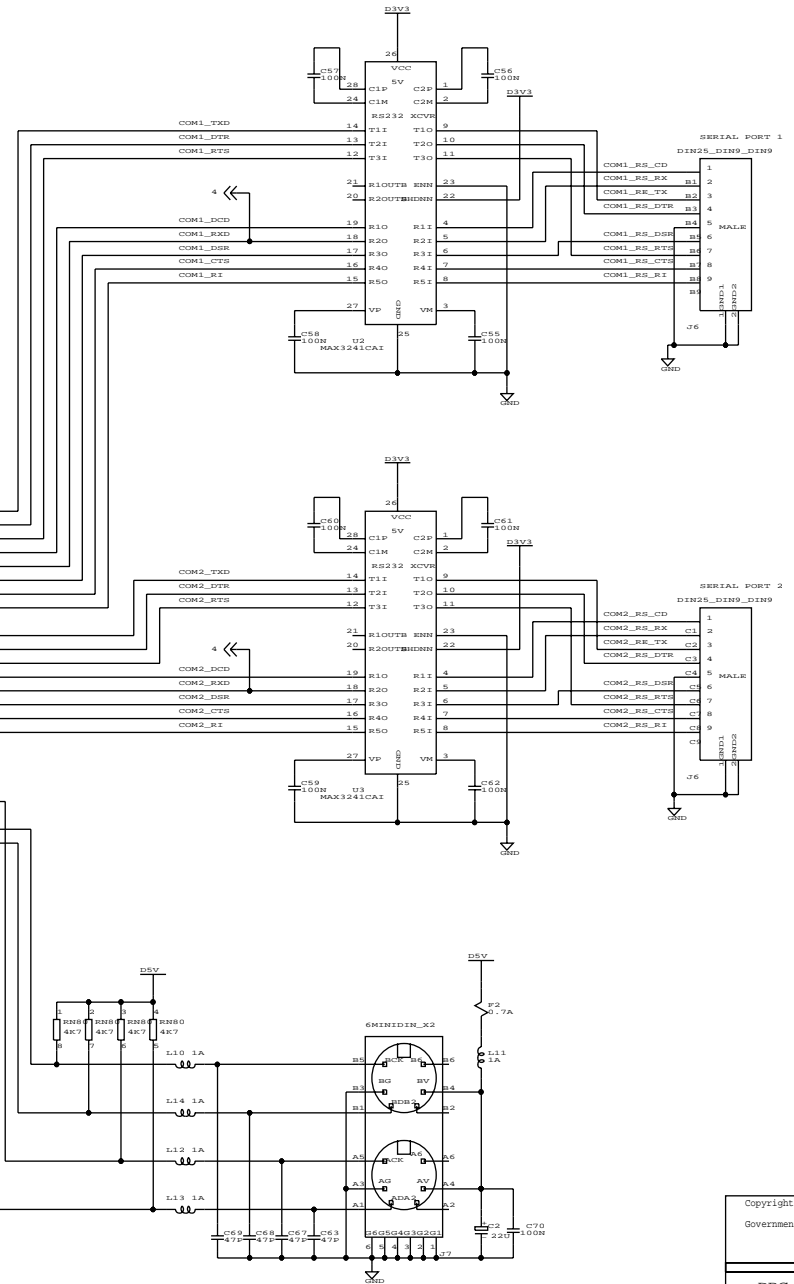
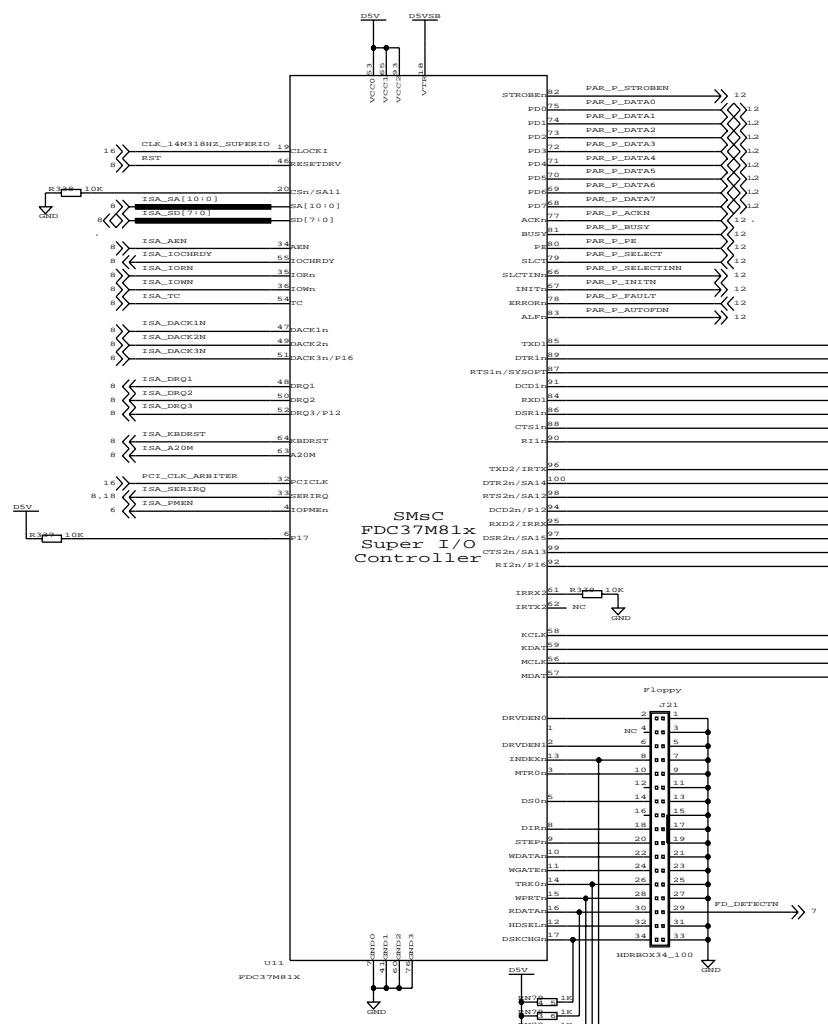


Copyright (c) 2000 MIPS Technologies, Inc. All Rights Reserved. Government Use Restricted. Use Subject to License.			
MIPS TECHNOLOGIES			
DRG_NAME: Malta DRG_NUM: MD00049 REV: 03.00 SHEET_TITLE: SOUTHBRIDGE CPU, PCI, IIC &			
SHEET REV: 1	Revision: 1.4	ENG: MDJ	SIZE
SDate: 2000/10/20 07:28:01	SHEET 6	of 19	D

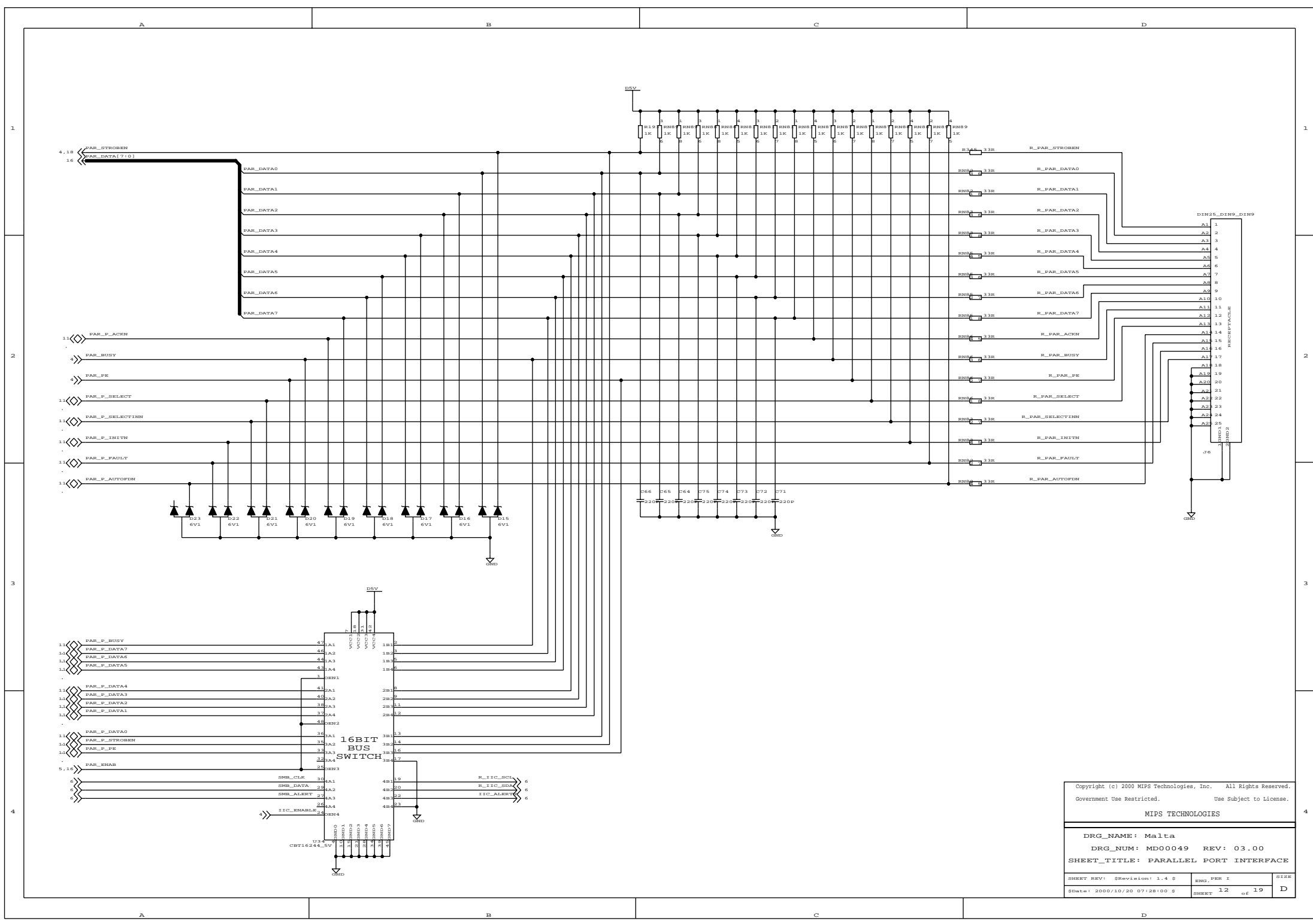


Crystal
CS4281
Audio Interface

Copyright (c) 2000 MIPS Technologies, Inc. All Rights Reserved.			
Government Use Restricted. Use Subject to License.			
MIPS TECHNOLOGIES			
DRG_NAME: Malta			
DRG_NUM: MD00049 REV: 03.00			
SHEET_TITLE: AUDIO INTERFACE			
SHEET REV: 1	SRevision: 1.4	ENG: MGS	SIZE
SDate: 2000/10/20 07:27:59	SHEET 10	of 19	D



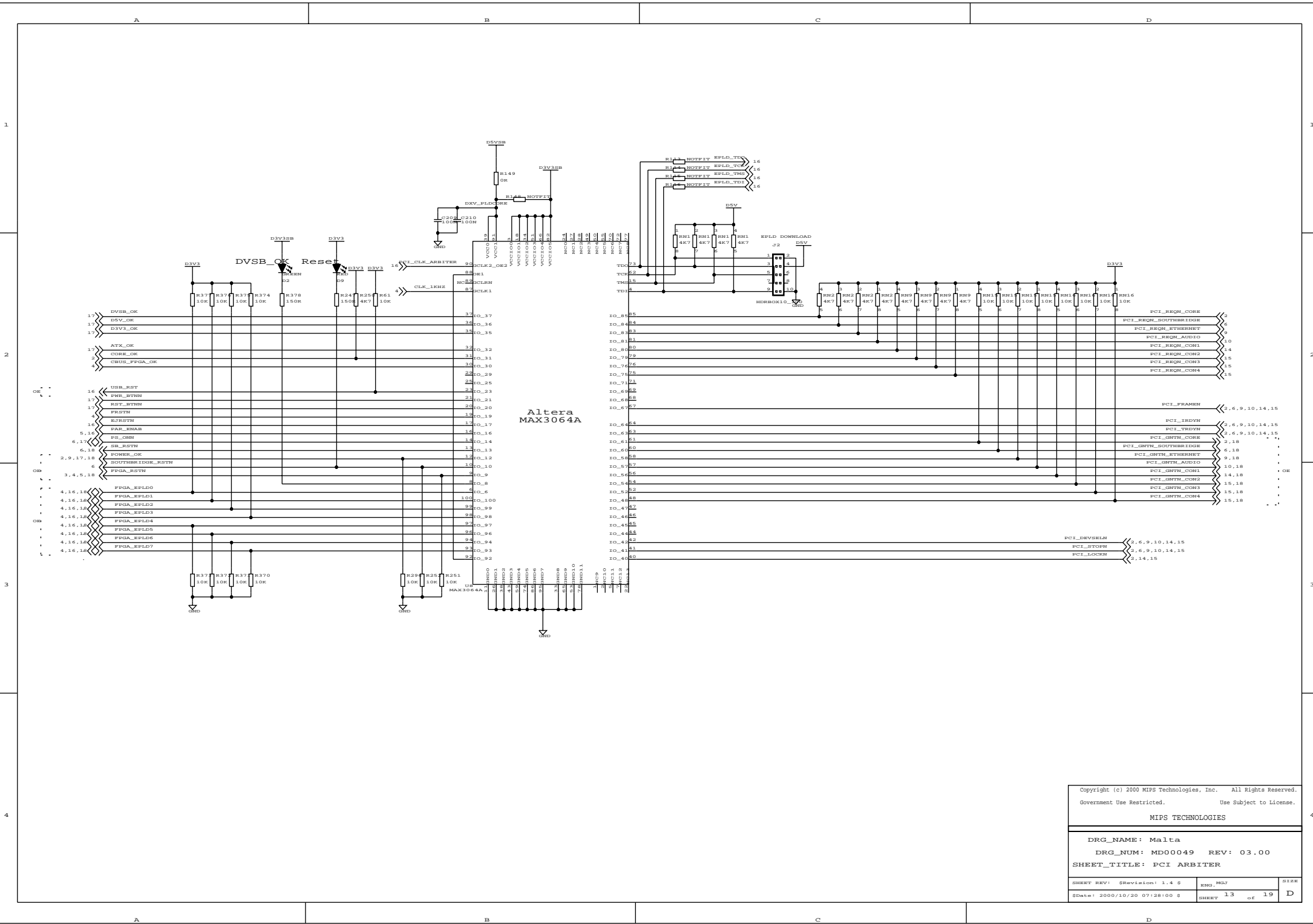
Copyright (c) 2000 MFS Technologies, Inc. All Rights Reserved.			
Government Use Restricted. Use Subject to License.			
MFS TECHNOLOGIES			
DRG_NAME: Malta			
DRG_NUM: MD00049 REV: 03.00			
SHEET_TITLE: SUPER I/O			
SHEET REV: 1	Revision: 1.4	ENG: MGS	DATE
SDATE: 2000/10/20 07:28:00	SHEET 11	of 19	D

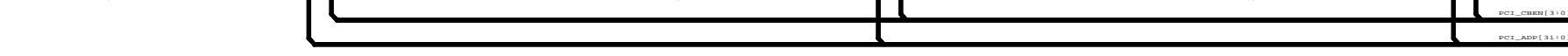
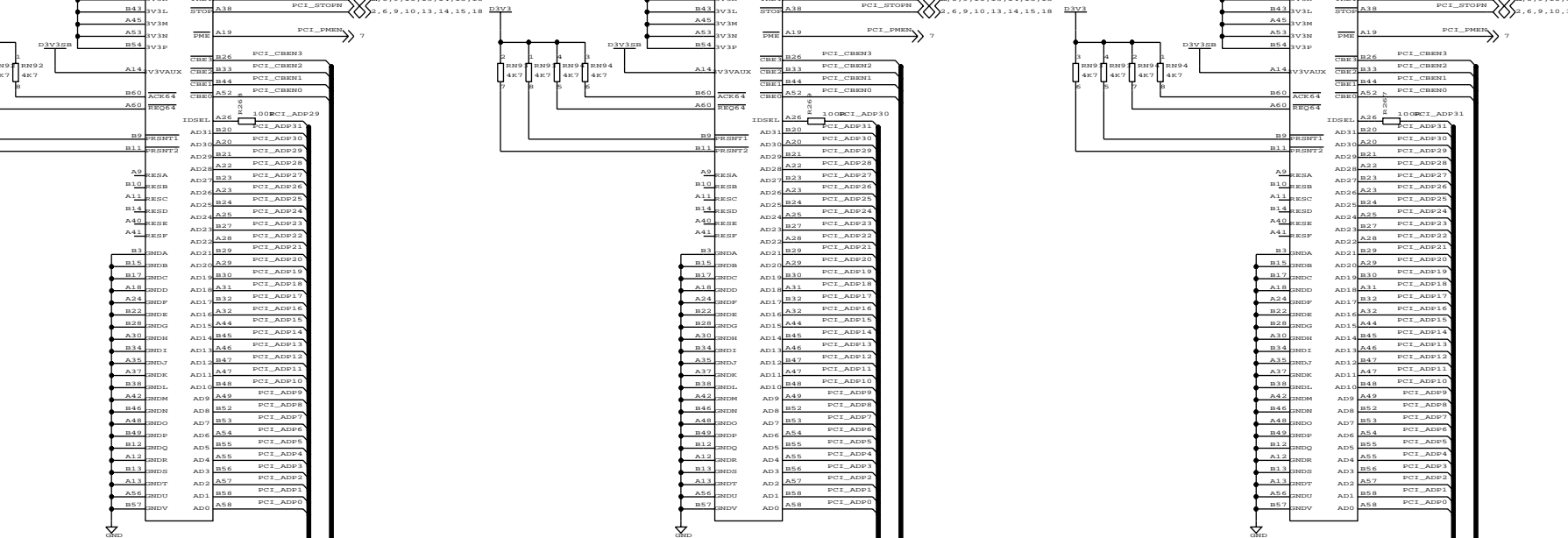
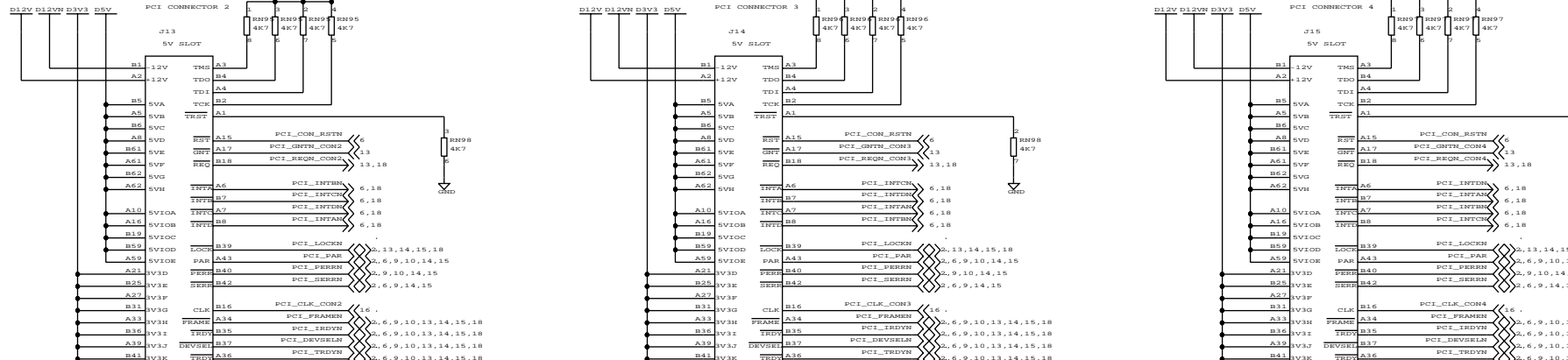


Copyright (c) 2000 MIPS Technologies, Inc. All Rights Reserved.
 Government Use Restricted. Use Subject to License.
MIPS TECHNOLOGIES

DRG_NAME: Malta
 DRG_NUM: MD00049 REV: 03.00
 SHEET_TITLE: PARALLEL PORT INTERFACE

SHEET REV: 1	SRRevision: 1.4 S	ENGR: PER I	SIZE
SDate: 2000/10/20 07:28:00 S	SHEET 12	of 19	D

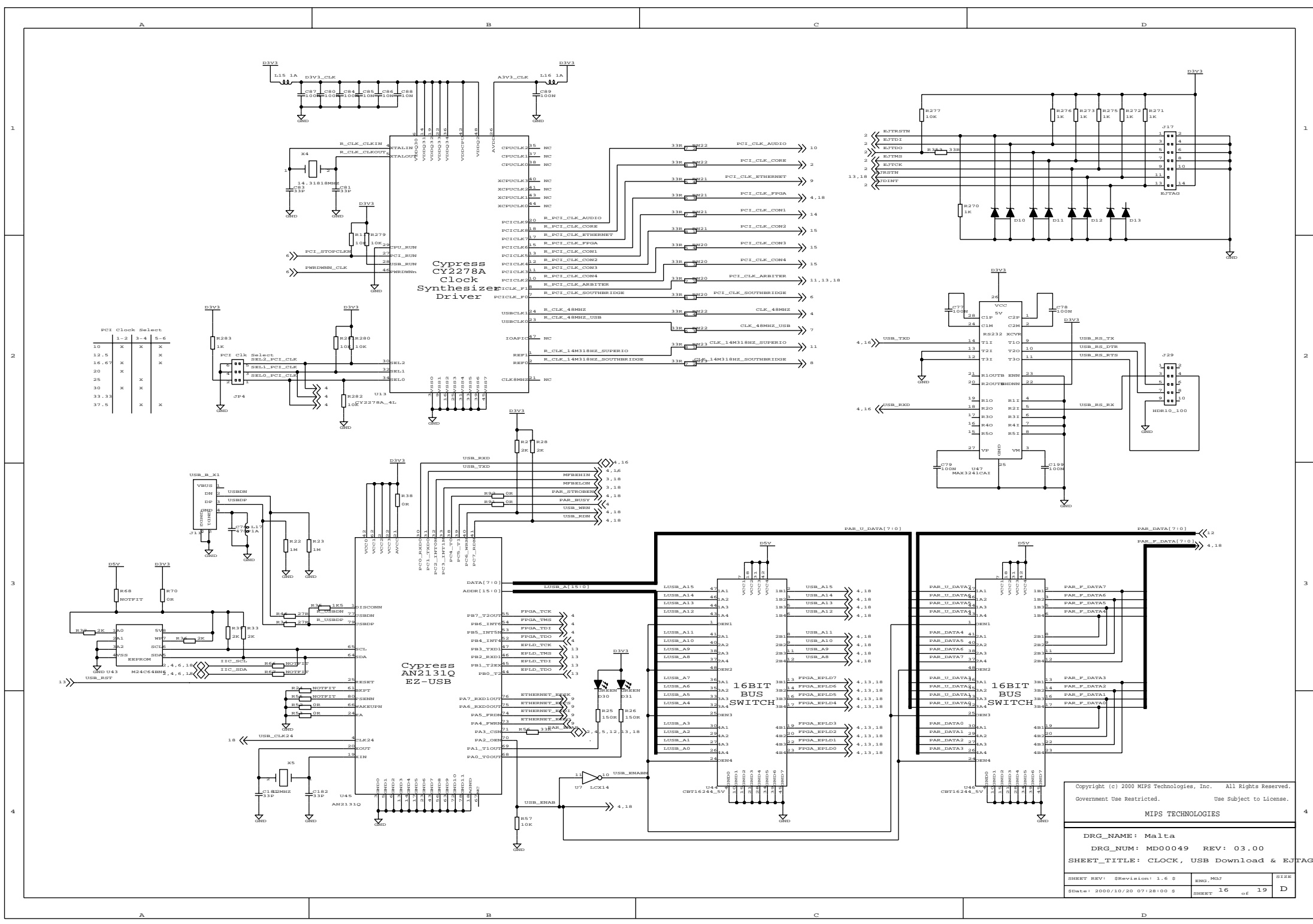


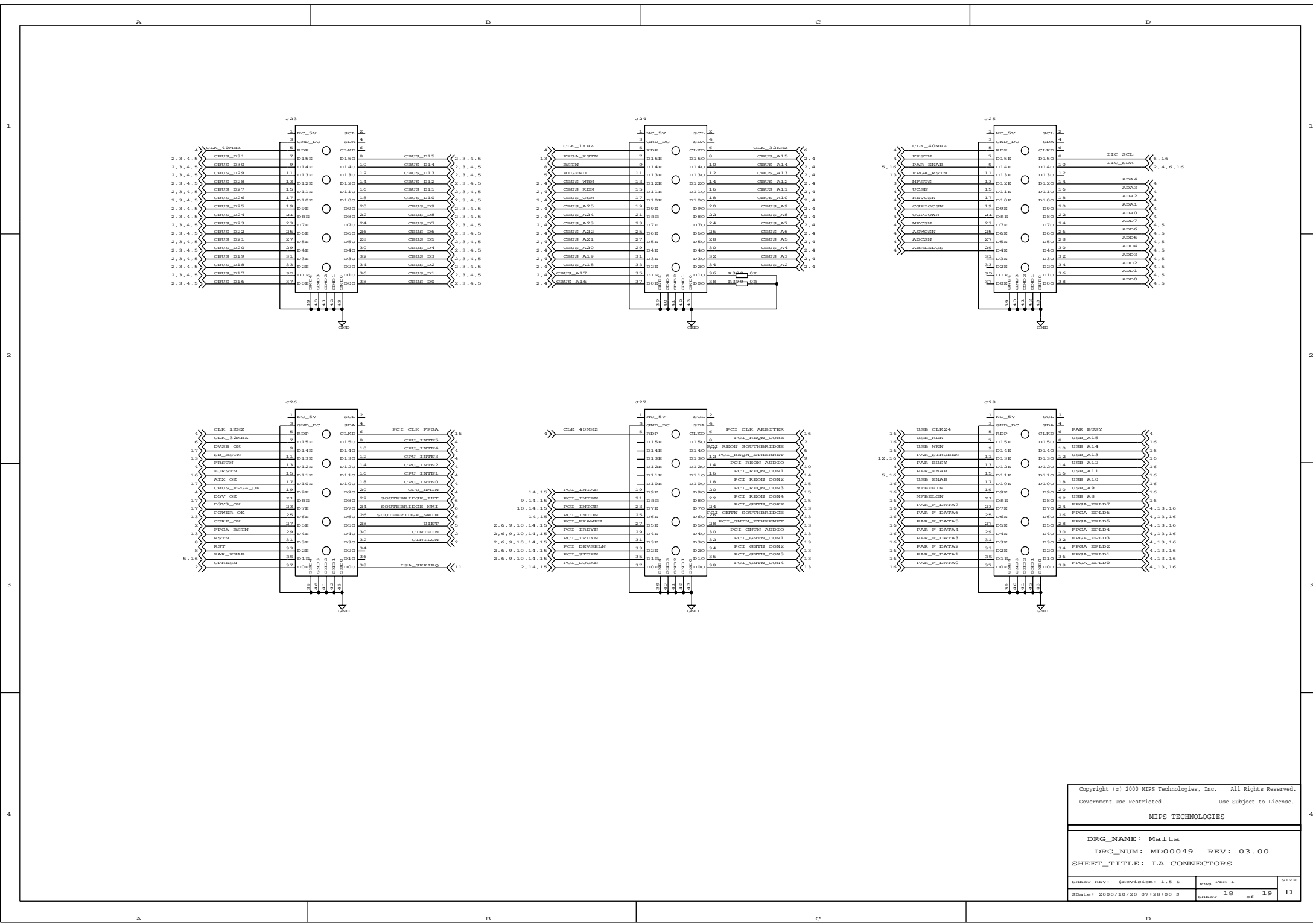


Copyright (c) 2000 MIPS Technologies, Inc. All Rights Reserved.
 Government Use Restricted. Use Subject to License.
 MIPS TECHNOLOGIES

DRG_NAME: Malta
 DRG_NUM: MD00049 REV: 03.00
 SHEET_TITLE: PCI CONNECTORS 2,3,4

SHEET REV: \$Revision: 1.4 \$ ENG: MGS SIZE
 \$Date: 2000/10/20 07:28:00 \$ SHEET 15 of 19 D





Copyright (c) 2000 MIPS Technologies, Inc. All Rights Reserved.
 Government Use Restricted. Use Subject to License.
MIPS TECHNOLOGIES
 DRG_NAME: Malta
 DRG_NUM: MD00049 REV: 03.00
 SHEET_TITLE: LA CONNECTORS

SHEET REV: 1	SRRevision: 1.5 S	ENG. PER 1	SIZE
SDate: 2000/10/20 07:28:00 S	SHEET 18	of 19	D

COMPACT FLASH (BY BOARD EDGE)

MAY BE MOUNTED AS ALTERNATIVE TO J20 (SHEET 7)

